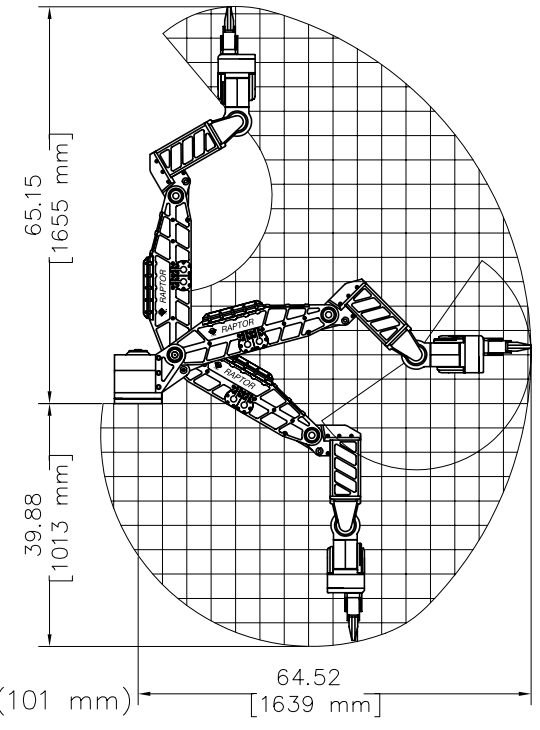


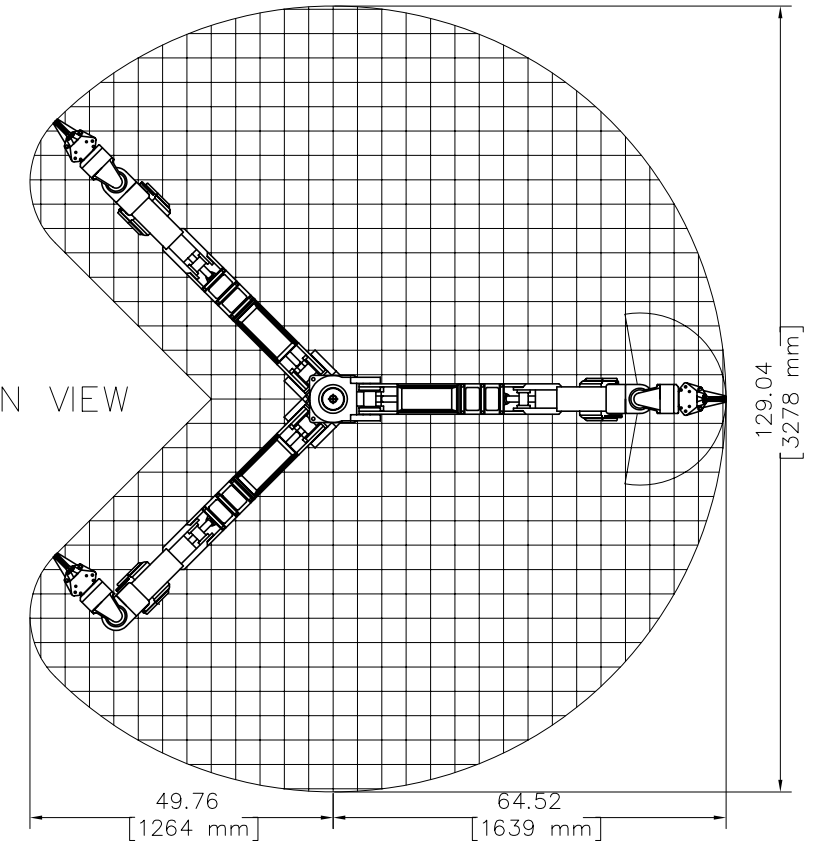
THE PART SHOWN HEREIN IS A PROPRIETARY PRODUCT OF KRAFT TELEROBOTICS, INC. KRAFT RESERVES ALL RIGHTS OF MANUFACTURE OR REPRODUCTION OF SUCH ARTICLE, OR ANY PART THEREOF. THIS DOCUMENT IS FURNISHED FOR ENGINEERING LIAISON PURPOSES ONLY AND MAY NOT BE REPRODUCED WITHOUT WRITTEN AUTHORIZATION FROM KRAFT TELEROBOTICS, INC.


SIDE VIEW



GRID SCALE: ONE BLOCK = 4" (101 mm)

PLAN VIEW



REV	ECO NO.	DATE	BY	REQ	PART NO.	DESCRIPTION	ITEM
0		3/28/03	HED				
					 KRAFT TELEROBOTICS INC. OVERLAND PARK, KANSAS 66214		
					TITLE RAPTOR MANIPULATOR PERFORMANCE ENVELOPE		
					DWG. NO.	SIZE	MATERIAL
					620-0039-00	D	NA
					TOLERANCES		FINISH
					ANGLES	xx ±.01 INCHES	
					±1/2"	.xxx ±.005 INCHES	NA
					DRN	SCALE	SHY 1
					HED		of 1
					DATE	DATE	DATE
					3/28/03		NA