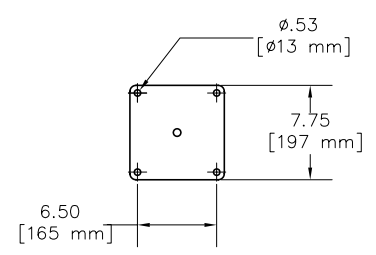
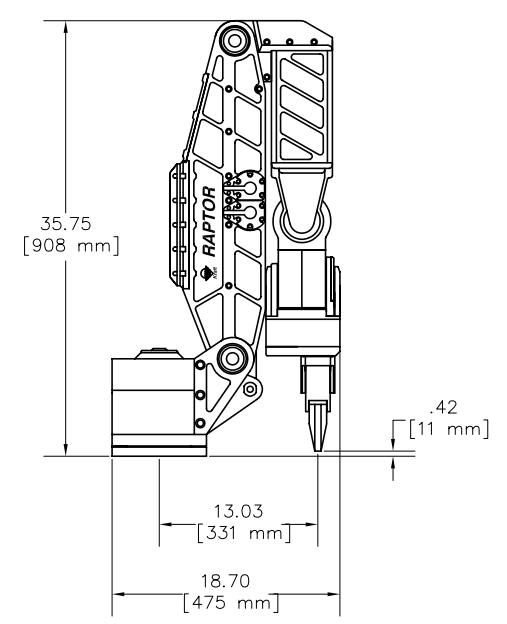
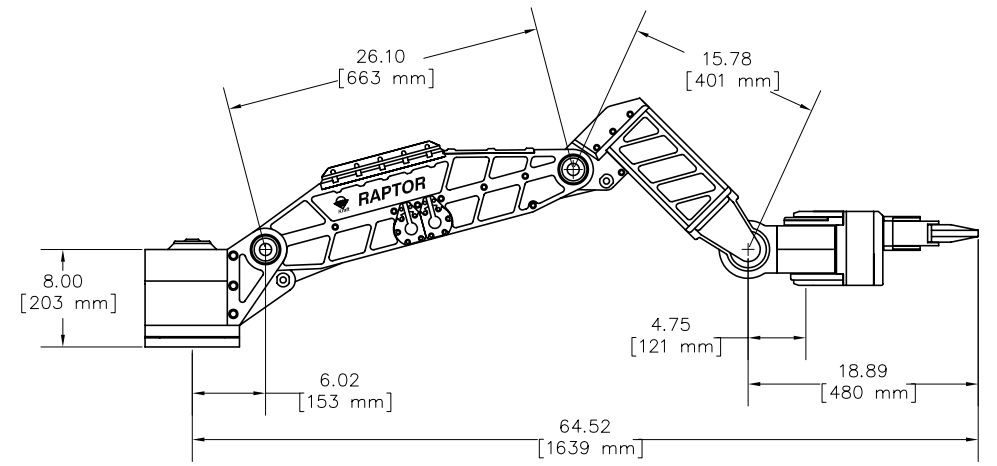
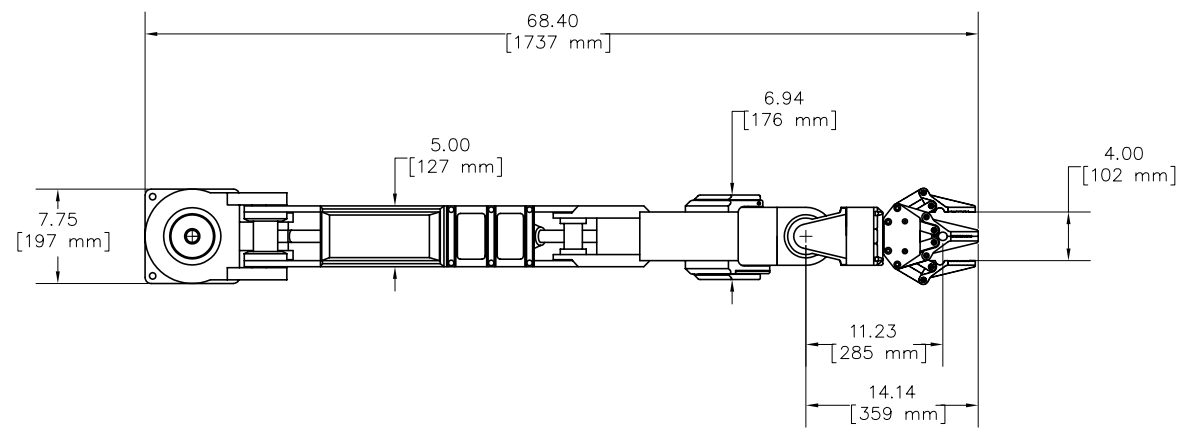


THE PART SHOWN HEREIN IS A PROPRIETARY PRODUCT OF KRAFT TELEROBOTICS, INC. KRAFT RESERVES ALL RIGHTS OF MANUFACTURE OR REPRODUCTION OF SUCH ARTICLE, OR ANY PART THEREOF. THIS DOCUMENT IS FURNISHED FOR ENGINEERING LIAISON PURPOSES ONLY AND MAY NOT BE REPRODUCED WITHOUT WRITTEN AUTHORIZATION FROM KRAFT TELEROBOTICS, INC.



MANIPULATOR MOUNTING FOOTPRINT

REV	DATE	BY	DESCRIPTION	ITEM																																												
0	3/28/03	HED	RAPATOR MANIPULATOR OUTLINE	1 of 1																																												
<table border="1"> <tr> <td>REQ. NO.</td> <td>PART NO.</td> <td>DESCRIPTION</td> <td>ITEM</td> </tr> <tr> <td></td> <td></td> <td>KRAFT TELEROBOTICS INC. OVERLAND PARK, KANSAS 66214</td> <td></td> </tr> <tr> <td>UNIT</td> <td>NEXT ASSY</td> <td colspan="2"></td> </tr> <tr> <td>REV</td> <td>DATE</td> <td>BY</td> <td>DESCRIPTION</td> </tr> <tr> <td>0</td> <td>3/28/03</td> <td>HED</td> <td>RAPATOR MANIPULATOR OUTLINE</td> </tr> <tr> <td>DWG. NO.</td> <td>SIZE</td> <td>MATERIAL</td> <td></td> </tr> <tr> <td>620-0038-00</td> <td>D</td> <td>NA</td> <td></td> </tr> <tr> <td colspan="2">TOLERANCES</td> <td>FINISH</td> <td></td> </tr> <tr> <td>ANGLES</td> <td>±1/2°</td> <td>.xxx ±.01 INCHES</td> <td></td> </tr> <tr> <td>DRN</td> <td>CHK</td> <td>MECH</td> <td>SCALE</td> </tr> <tr> <td>HED</td> <td></td> <td></td> <td>NA</td> </tr> </table>					REQ. NO.	PART NO.	DESCRIPTION	ITEM			KRAFT TELEROBOTICS INC. OVERLAND PARK, KANSAS 66214		UNIT	NEXT ASSY			REV	DATE	BY	DESCRIPTION	0	3/28/03	HED	RAPATOR MANIPULATOR OUTLINE	DWG. NO.	SIZE	MATERIAL		620-0038-00	D	NA		TOLERANCES		FINISH		ANGLES	±1/2°	.xxx ±.01 INCHES		DRN	CHK	MECH	SCALE	HED			NA
REQ. NO.	PART NO.	DESCRIPTION	ITEM																																													
		KRAFT TELEROBOTICS INC. OVERLAND PARK, KANSAS 66214																																														
UNIT	NEXT ASSY																																															
REV	DATE	BY	DESCRIPTION																																													
0	3/28/03	HED	RAPATOR MANIPULATOR OUTLINE																																													
DWG. NO.	SIZE	MATERIAL																																														
620-0038-00	D	NA																																														
TOLERANCES		FINISH																																														
ANGLES	±1/2°	.xxx ±.01 INCHES																																														
DRN	CHK	MECH	SCALE																																													
HED			NA																																													