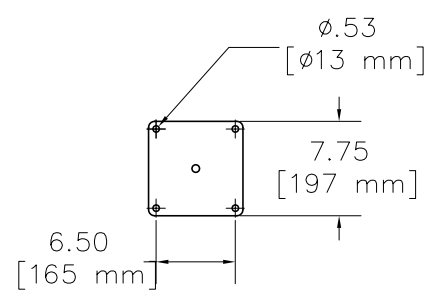
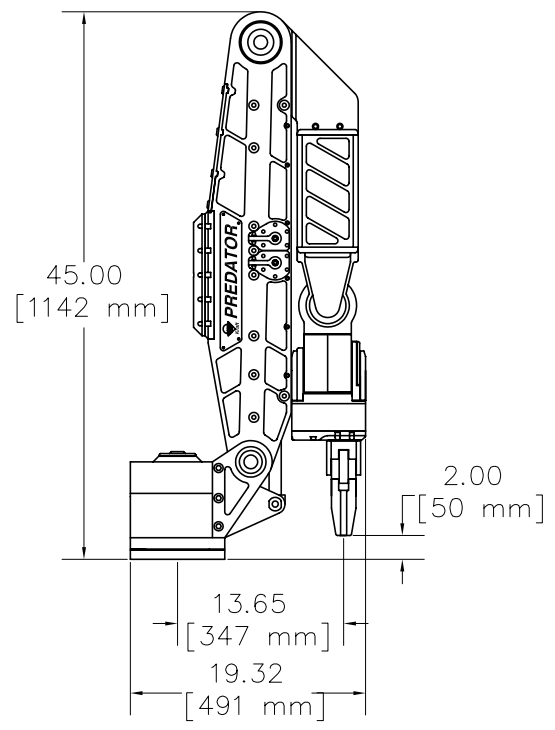
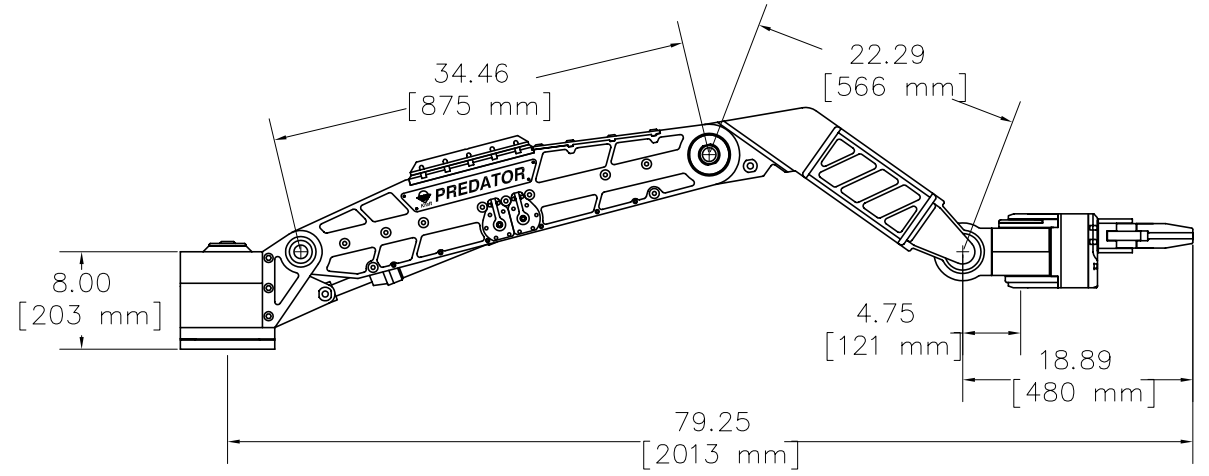
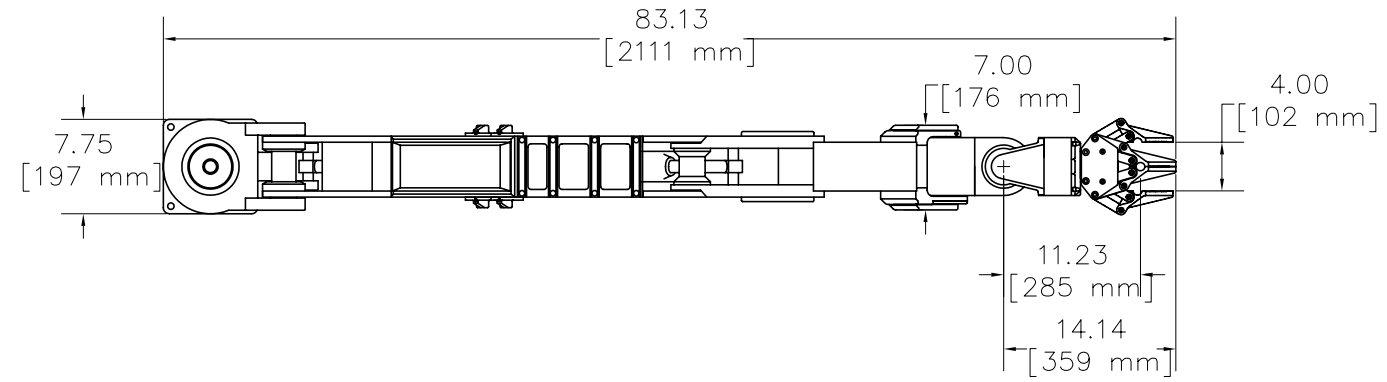


THE PART SHOWN HEREIN IS A PROPRIETARY PRODUCT OF KRAFT TELEROBOTICS, INC. KRAFT RESERVES ALL RIGHTS OF MANUFACTURE OR REPRODUCTION OF SUCH ARTICLE, OR ANY PART THEREOF. THIS DOCUMENT IS FURNISHED FOR ENGINEERING LIAISON PURPOSES ONLY AND MAY NOT BE REPRODUCED WITHOUT WRITTEN AUTHORIZATION FROM KRAFT TELEROBOTICS, INC.



PREDATOR MOUNTING FOOTPRINT

REV	ECO NO.	DATE	BY	REQ	PART NO.	DESCRIPTION	ITEM
0		3/28/03	HED				
					KRAFT TELEROBOTICS INC. OVERLAND PARK, KANSAS 66214		
					PREDATOR MANIPULATOR OUTLINE		
					DWG. NO.	SIZE	MATERIAL
					620-0031-00	D	NA
					TOLERANCES		
					ANGLES	FINISH	
					±1/2°	.xx ±.01 INCHES	NA
					DATE	SCALE	SHT 1
					3/28/03	NA	of 1