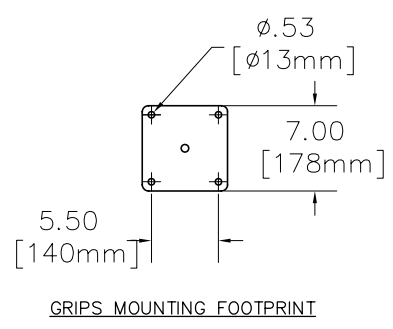
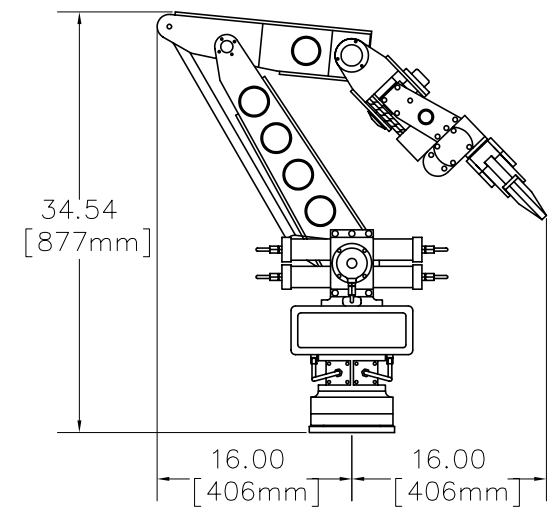
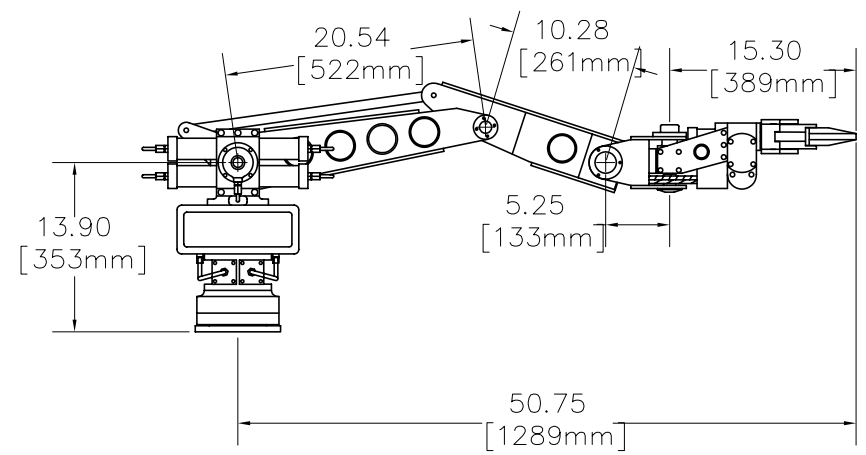
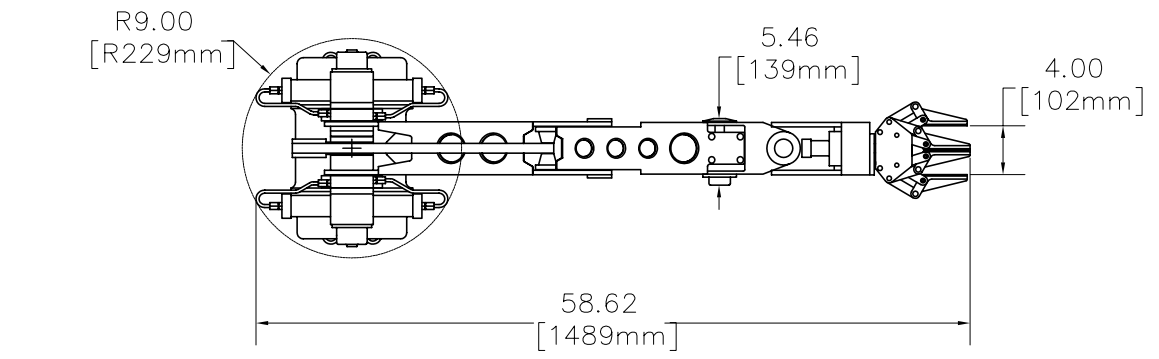


THE PART SHOWN HEREIN IS A PROPRIETARY PRODUCT OF KRAFT TELEROBOTICS, INC. KRAFT RESERVES ALL RIGHTS OF MANUFACTURE OR REPRODUCTION OF SUCH ARTICLE, OR ANY PART THEREOF. THIS DOCUMENT IS FURNISHED FOR ENGINEERING LIAISON PURPOSES ONLY AND MAY NOT BE REPRODUCED WITHOUT WRITTEN AUTHORIZATION FROM KRAFT TELEROBOTICS, INC.



REV	ECO NO.	DATE	BY	REQ	PART NO.	DESCRIPTION	ITEM
0		8/18/05	HED				
				TITLE: GRIPS MANIPULATOR OUTLINE DWG. NO.: 620-0057-00 SIZE: D MATERIAL: NA			
				TOLERANCES: .xx ±.01 INCHES FINISH: NA ANGLES: ±1/2° .xxx ±.005 INCHES			
				SCALE: NA SHEET: 1 of 1			